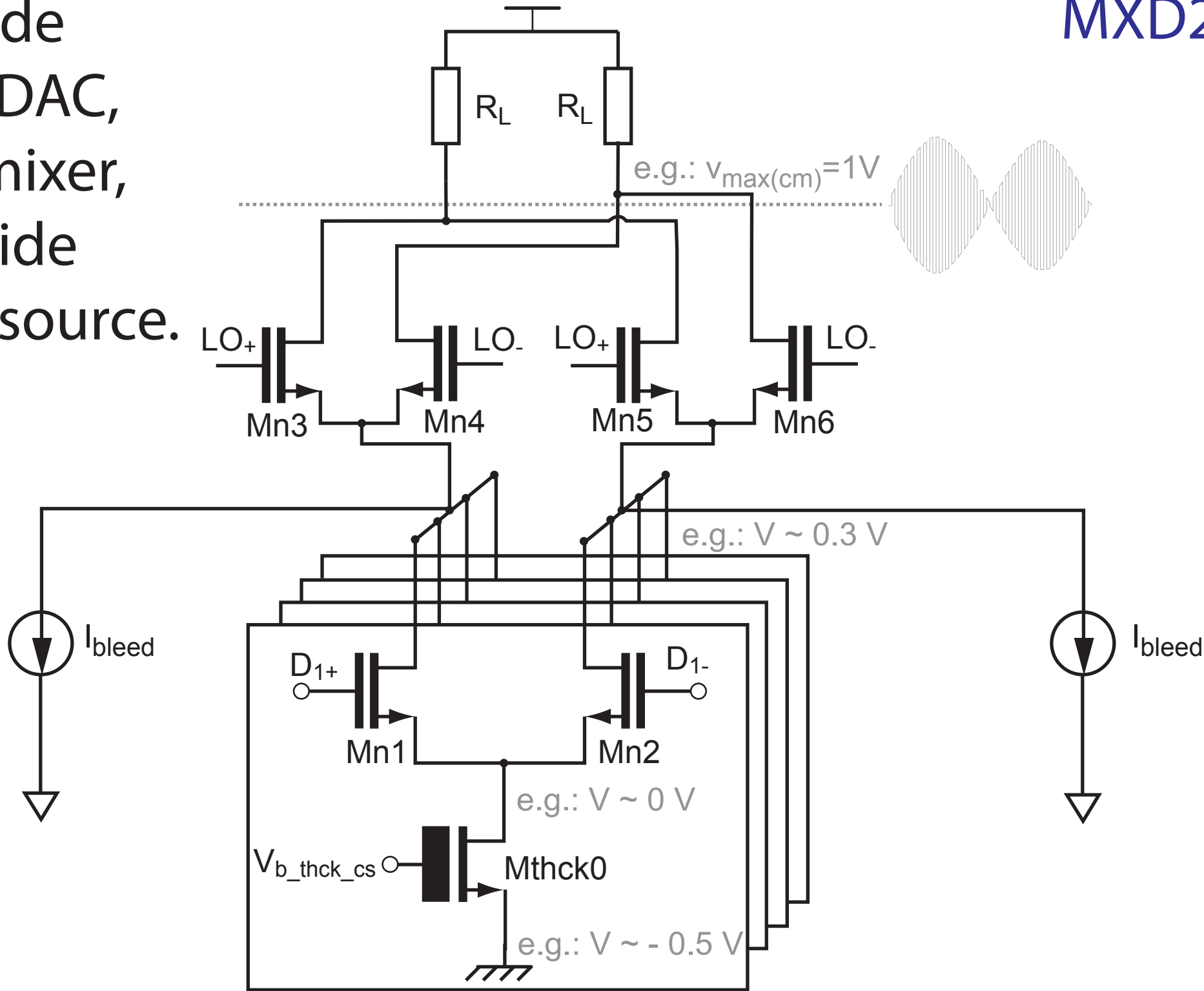


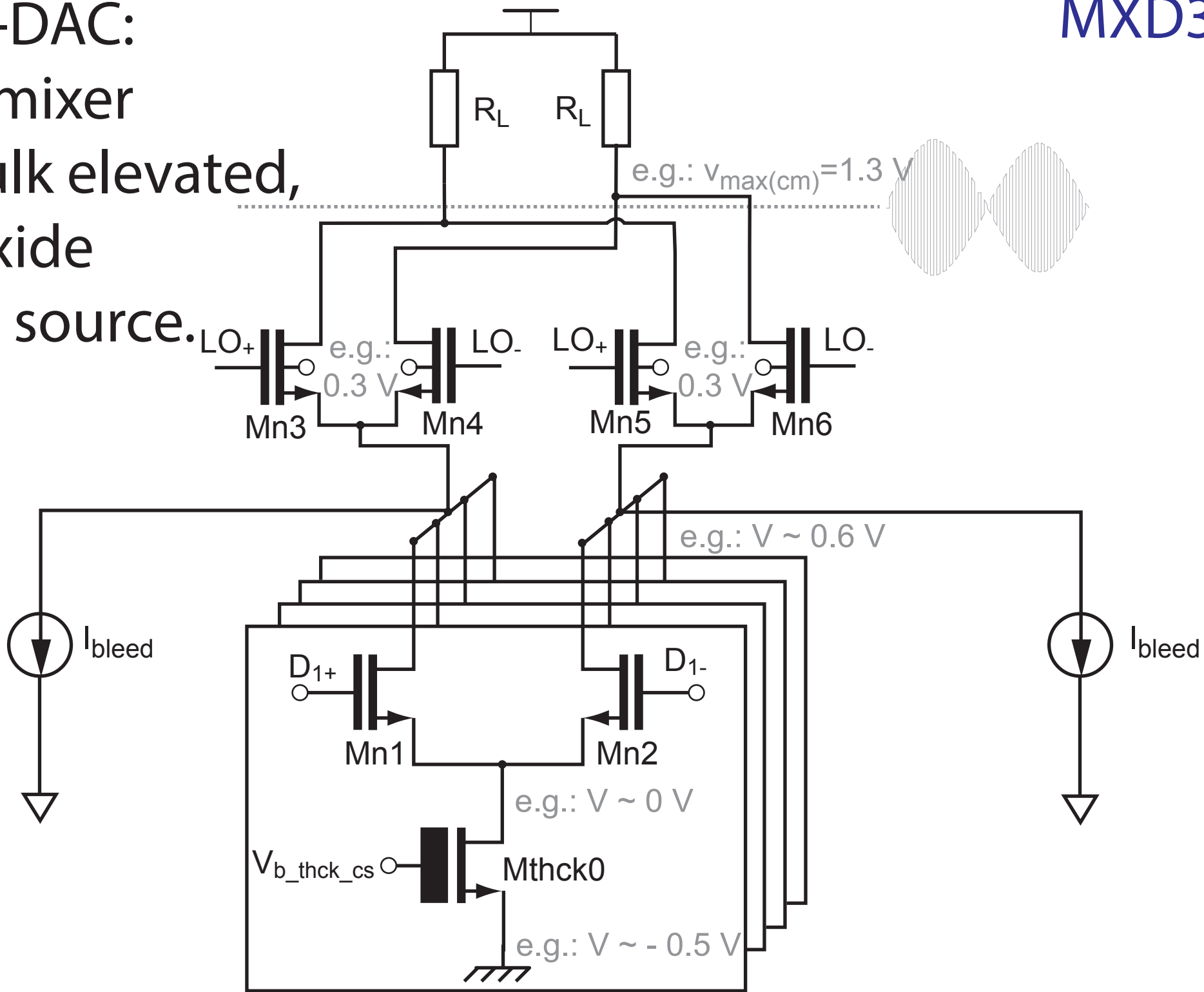
Mixing DAC Catalog

TU/e, g.radulov@tue.nl, m.neofytou@tue.nl

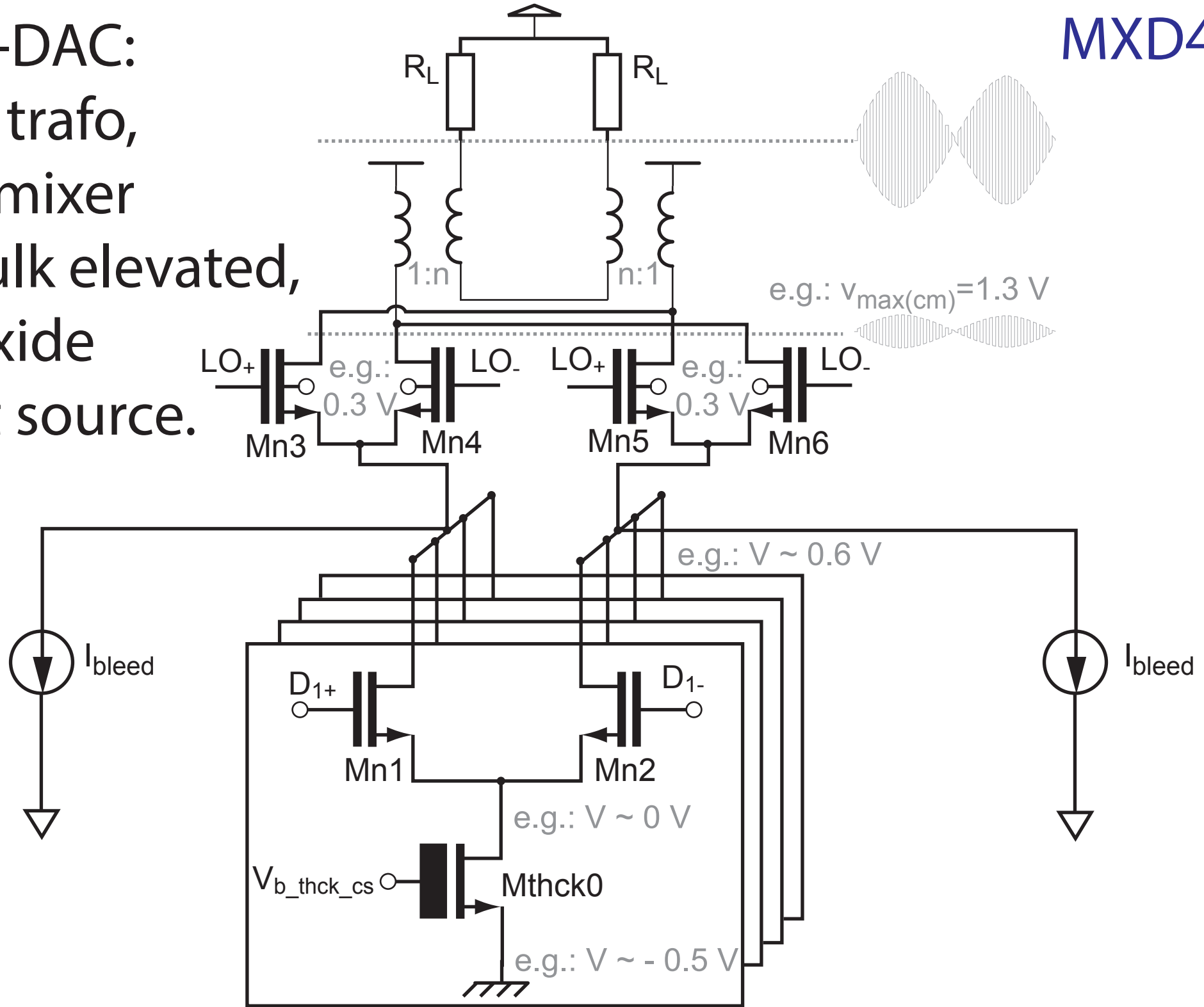
Thin oxide
mixing-DAC,
global mixer,
thick oxide
current source.



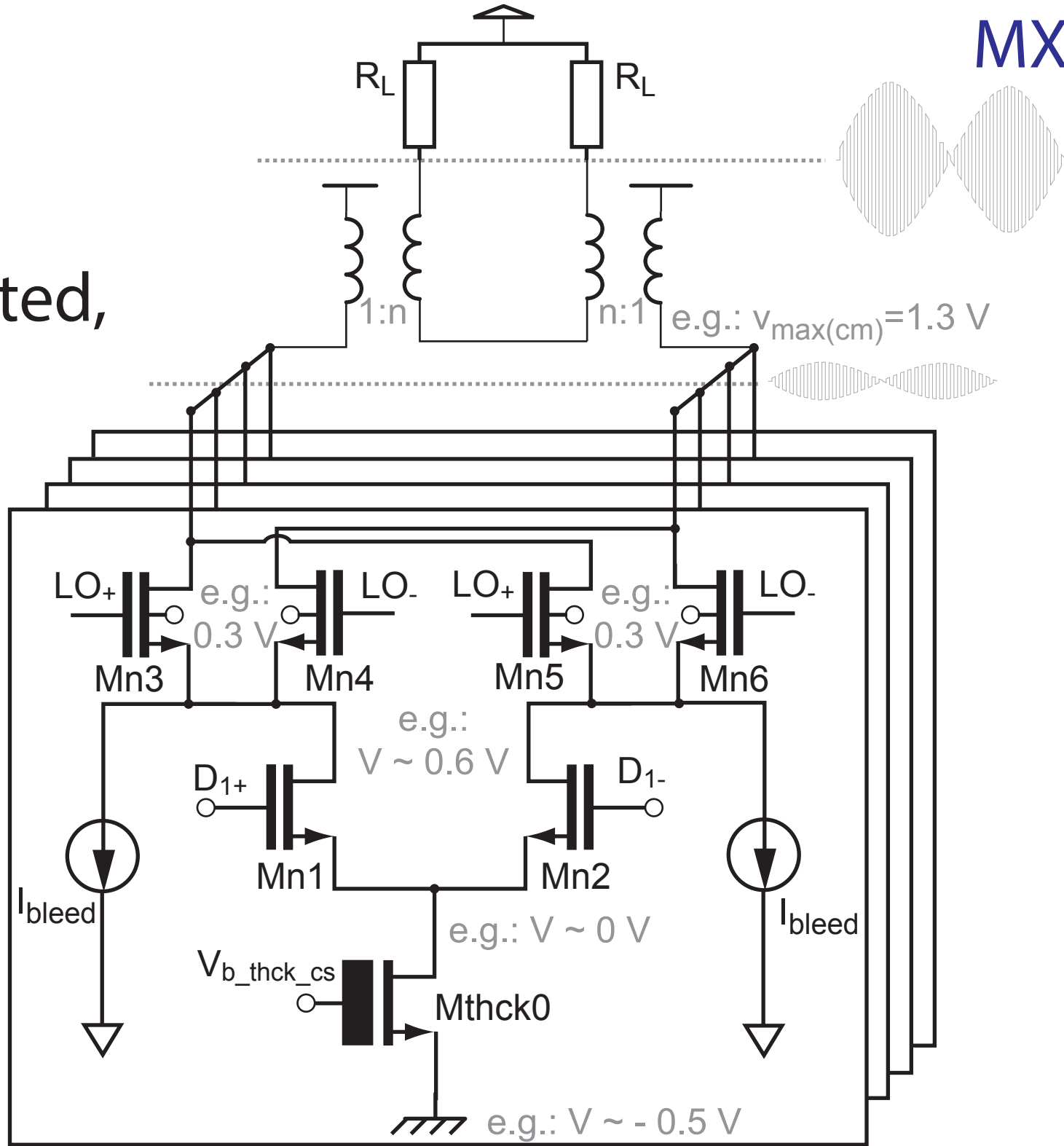
Mixing-DAC:
 global mixer
 with bulk elevated,
 thick oxide
 current source.



Mixing-DAC:
output trafo,
global mixer
with bulk elevated,
thick oxide
current source.



Mixing-DAC:
 output trafo,
 local mixer
 with bulk elevated,
 thick oxide
 current source.



Mixing-DAC:

output trafo,

local digital mixer/data

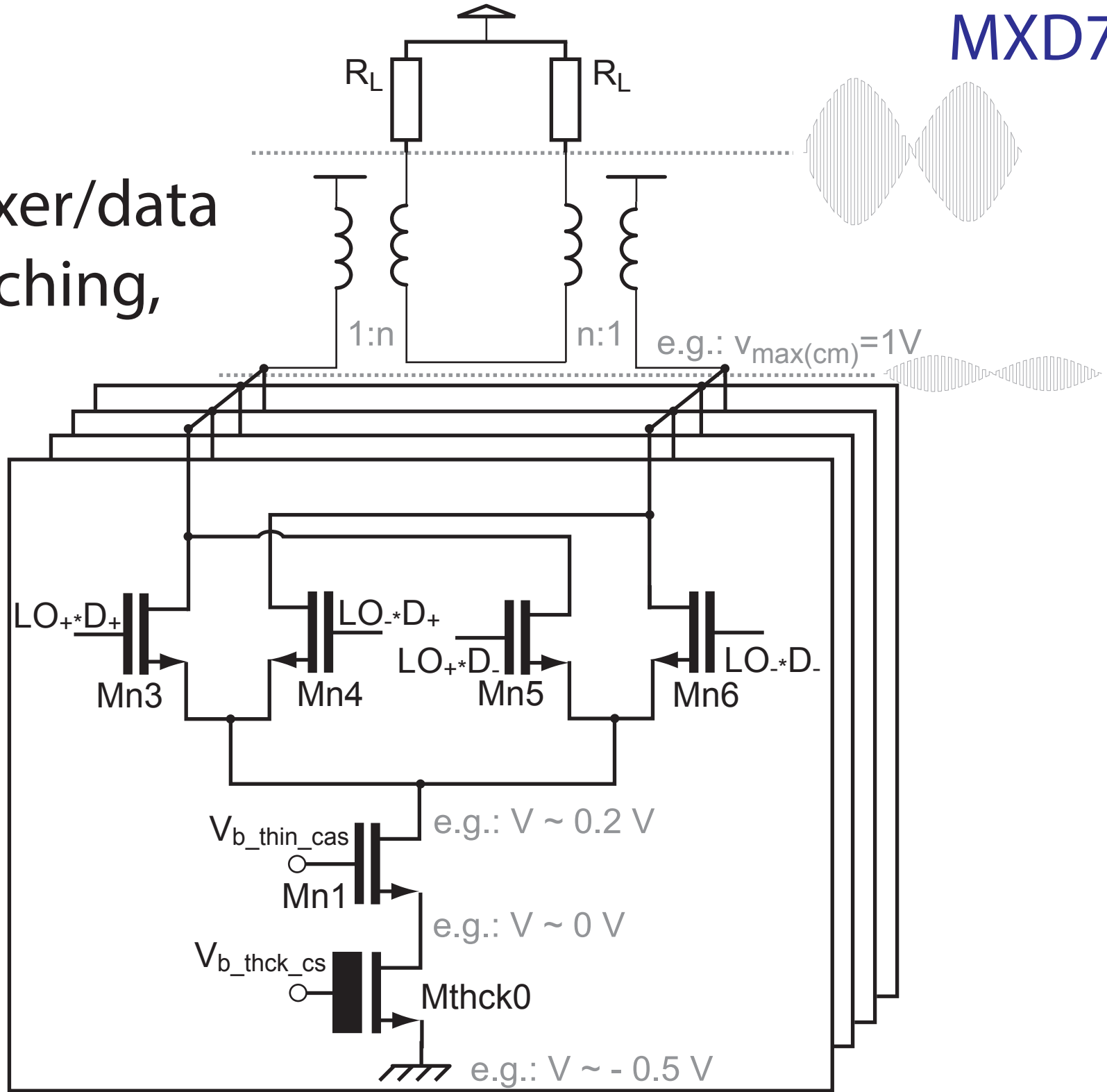
with quad switching,

thick oxide

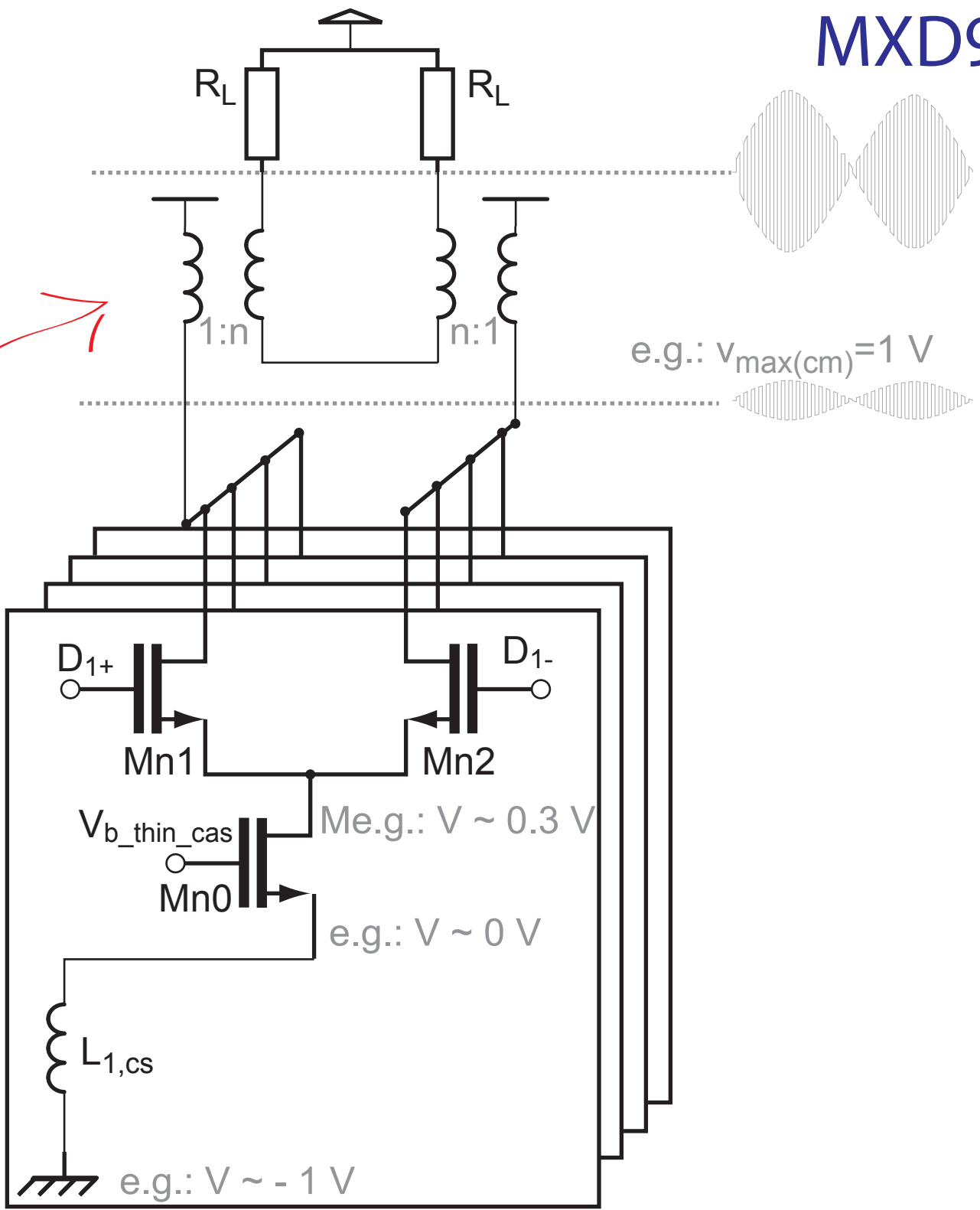
current source

with thin oxide

cascode.



Mixing-DAC:
output trafo,
trafo-modulated
current source.



Possible options
for phase-shift!!!

Mixing-DAC:
output trafo, local mixer,
folded cascode DAC,
thick oxide current source
with thin
oxide cascode.

